

B6N



OIML test certificate no. TC8009 Revision 0 and
D09-10.10 C of C no R60/2000-NL1-11.27 and
R60/2000-DE1-10.04

- Stainless steel IP67 single point load cell
- Bending beam
- Suitable for weighing equipment like platform and belt scales
- Maximum platform size: 400 x 400 mm

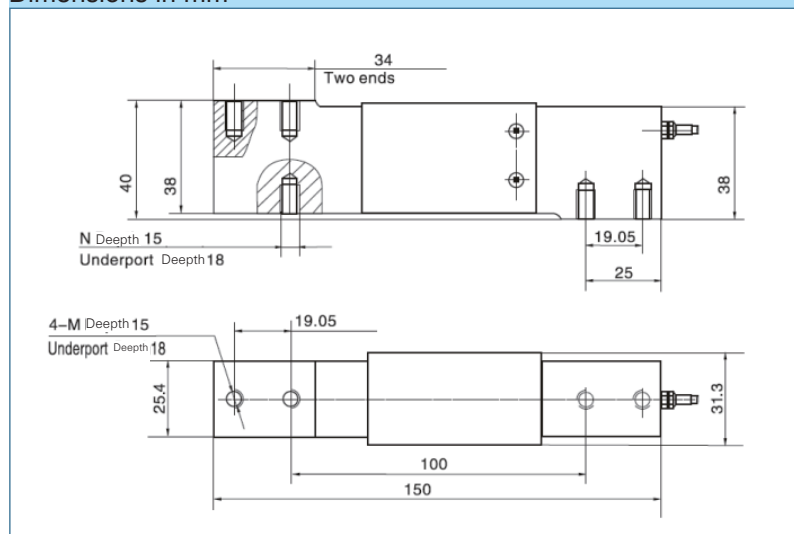
Available models

Capacity	Accuracy	Full article description
5 kg	C3/C4	B6N-C3/C4 -5kg-1B6
7 kg	C3/C4	B6N-C3/C4 -7kg-1B6
8 kg	C3/C4	B6N-C3/C4 -8kg-1B6
10 kg	C3/C4	B6N-C3/C4 -10kg-1B6
15 kg	C3/C4	B6N-C3/C4 -15kg-1B6
20 kg	C3/C4	B6N-C3/C4 -20kg-1B6
30 kg	C3/C4	B6N-C3/C4 -30kg-1B6
50 kg	C3	B6N-C3-50kg-1B6
75 kg	C3	B6N-C3-75kg-1B6
100 kg	C3	B6N-C3-100kg-1B6
150 kg	C3	B6N-C3-150kg-1B6
200 kg	C3	B6N-C3-200kg-1B6

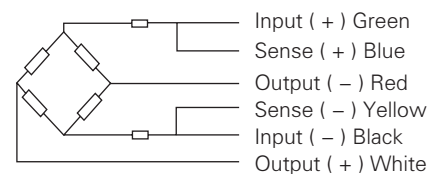
Specification

Accuracy class		OIML R60 C3	OIML R60 C4
Output sensitivity (= FS)	mV/V	2.0 ± 0.2	
Maximum capacity (E _{max})	kg	5/7/8/10/15/20/30/50/75/100/150/200	
Maximum number of load cell intervals (nLC)		3000	4000
Ratio of minimum LC verification interval Y = E _{max} / v _{min}		10000	15000
Combined error	%FS	± 0.0230	± 0.0175
Minimum dead load	kg	0	
Safe overload	of E _{max}	150 %	
Ultimate overload	of E _{max}	300 %	
Zero balance	%FS	± 1.0	
Excitation, recommended voltage	V	5 ~ 12 (DC)	
Excitation maximum	V	18 (DC)	
Input resistance	Ω	400 ± 20	
Output resistance	Ω	350 ± 3.5	
Insulation resistance	MΩ	≥ 5000 (50VDC)	
Compensated temperature	°C	-10 ~ +40	
Operating temperature	°C	-35 ~ +65	
Storage temperature	°C	-40 ~ +70	
Element material		Stainless steel	
Ingress protection (according to EN 60529)		IP67	
Recommended torque on fixation	N.m	M6: 10	
ATEX classification (optional)		II1G Ex ia IIC T4	II1D Ex iaD 20 T73°C
Note: "S1" output sensitivity is 2.0 ± 0.002mV/V, input resistance is 384 ± 4		II3G Ex nL IIC T4	

Dimensions in mm



Wiring



- Shielded, 6 conductor cable.
- Cable diameter: Φ5mm
- Standard cable length: 1m
- Shield not connected to element