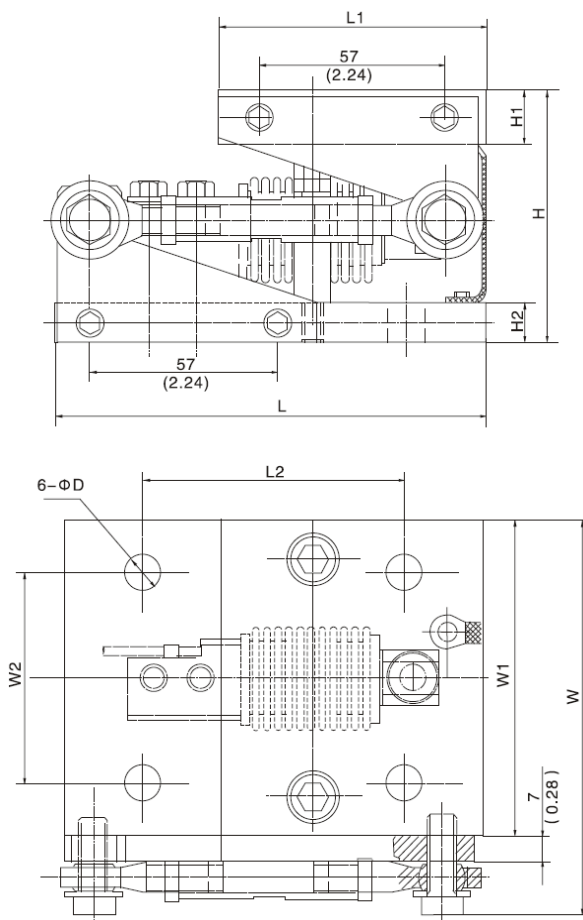


Specification:

Specifications	BM-11-401	
Capacity	5 - 200 kg	350 – 500 kg
Maximum vertical force (down) without load cell	10 kN	30 kN
Maximum vertical force (up)	5 kN	10 kN
Maximum force parallel to the stay rod	3 kN	10 kN
Maximum horizontal force (any direction other than parallel to the stay rod)	5 kN	15 kN
Maximum horizontal movement	+2 / -2 mm	+1 / -1 mm
Material	Stainless steel	Stainless steel

Outline Dimensions in mm



Capacity	5kg-200kg	350kg-500kg
H	77 (3.03)	90 (3.54)
H1	12 (0.47)	20 (0.79)
H2	12 (0.47)	15 (0.59)
L	130 (5.12)	160 (5.3)
L1	75 (2.95)	100 (3.94)
L2	95 (3.74)	100 (3.94)
W	111 (4.37)	141 (5.55)
W1	90 (3.54)	120 (4.72)
W2	60 (2.36)	80 (3.15)
ΦD	Φ9 (0.35)	Φ14 (0.55)

Nr. 2010.02 BM-11-402 Rev0