

# HM24L



- High quality alloy steel, nickel plated, high accuracy, good auto-stability
- Ingress protection (according to EN 60529): IP68
- Suitable for wheel-axle recognition and other compression force measuring devices.
- OIML Test certificate No: TC7968Revision 0
- OIML certificate No: R60/2000-NL1-11.20
- NTEP certificate No: CC07-020A1



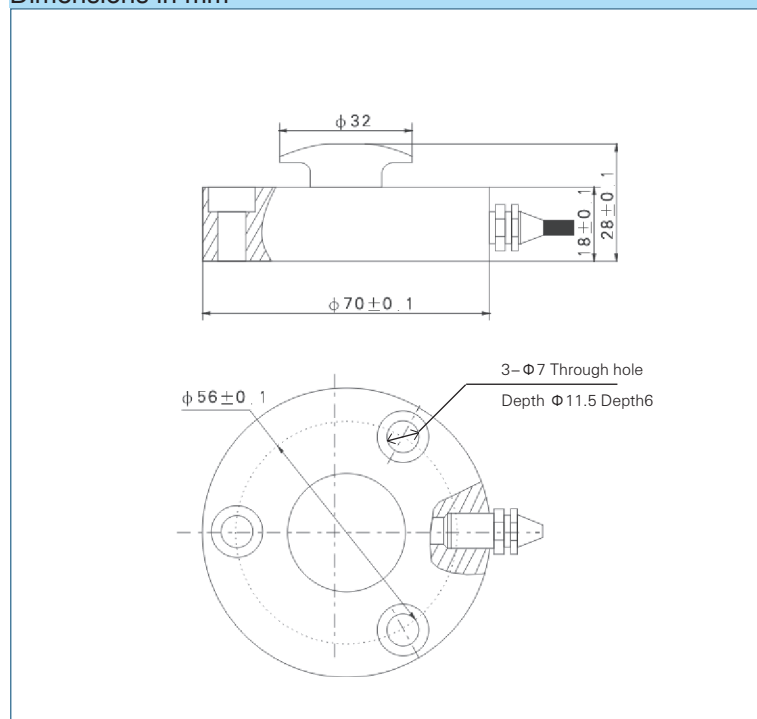
## Available models

Capacity	Accuracy	Full article description
1t-2t	G5	HM24L-G5-xxt-7T-S1
3t	G5	HM24L-G5-3t-7T-S1

## Specification

Accuracy class		G5
Output sensitivity ( = FS )	mV/V	1.0 ± 0.01
Maximum capacity ( E <sub>max</sub> )	t	1.0, 2.0, 3.0
Combined error	%FS	± 0.5
Minimum dead load	of E <sub>max</sub>	0
Safe overload	of E <sub>max</sub>	150 %
Ultimate overload	of E <sub>max</sub>	300 %
Zero output	%FS	± 1.0
Excitation, recommended voltage	V	10(DC)
Excitation maximum	V	15(DC)
Input resistance	Ω	350 ± 5
Output resistance	Ω	350 ± 5
Insulation resistance	MΩ	≥ 5000 ( 50VDC )
Compensated temperature	°C	-10 ~ +40
Operating temperature	°C	-35 ~ +65
Element material		Stainless steel
Ingress protection (according to EN 60529)		IP68
Recommended torque on fixation	N.m	M7:40

## Dimensions in mm



## Wiring

