



OIML test certificate no. TC7840 Revision 0

OIML C of C no. R60/2000-NL1-10.24

Datasheet: L6J2 load cell

RoHS



- Aluminium-Alloy IP65 single point load cell
- Colourless anodized
- Suitable for counting scales, balances, pricing scales, etc.
- Recommended platform size: 150 x 100 mm

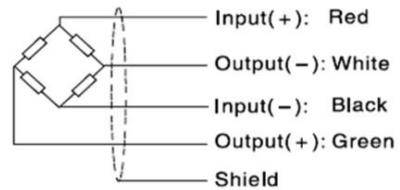
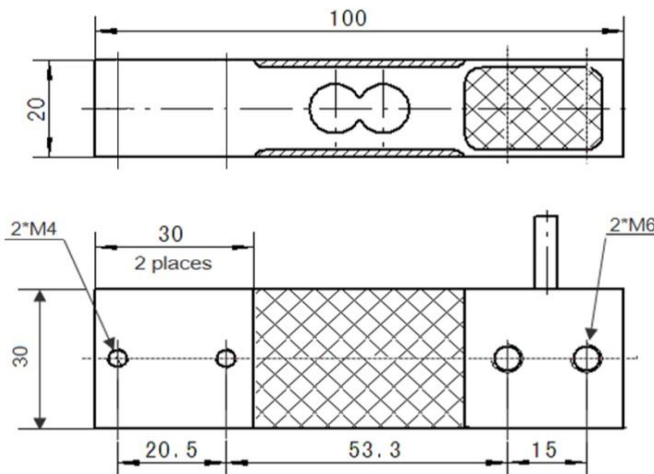


Capacity	Accuracy	Part-Number
30 kg	Cx	L6J2-Cx-30kg-0.4B
50 kg	Cx	L6J2-Cx-50kg-0.4B
100 kg	Cx	L6J2-Cx-100kg-0.4B
150 kg	Cx	L6J2-Cx-150kg-0.4B

Specifications:

		OIML R60 C3	OIML R60 C4
Accuracy class			
Output sensitivity (= FS)	mV/V	2.0 ± 0.2	
Maximum capacity (E _{max})	kg	30, 50, 100, 150	
Maximum number of load cell intervals (n _{LC})		3000	4000
Ratio of minimum LC verification interval Y = E _{max} / V _{min}	Y	10000	15000
Minimum Dead Load Output Return (Z = 1/2 * E _{max} / DR)	Z	3000	4000
Combined Error	%FS	≤ ± 0.0230	≤ ± 0.0175
Minimum dead load	kg	0	
Safe overload	of E _{max}	150 %	
Ultimate overload	of E _{max}	300 %	
Zero balance	of FS	≤ ± 2.0 %	
Excitation, recommended voltage	V	5 ~ 12	
Excitation maximum	V	18	
Terminal resistance, input	Ω	1065 ± 15	
Terminal resistance, output	Ω	1000 ± 10	
Insulation impedance	MΩ	≥ 5000 (at 50VDC)	
Temperature range, compensated	°C	-10 ~ +40	
Temperature range, operating	°C	-20 ~ +50	
Element material		Aluminium	
Ingress Protection (according to EN 60529)		IP65	
Recommended torque on fixation bolts	Nm	M4: 3Nm and M6: 10Nm	
Corner correction		≤ ± 0.020% load value / 100 mm	

Outline Dimensions in mm



- Dimensions and specifications are subject to change without notice.

Wiring:

- Adopt a shielded, 4 conductor cable, and cable jacket is PU.
- Cable length: 0.40 ± 0.05m.
- Cable diameter: 4.0 ± 0.2mm.
- Shield not connected to element.