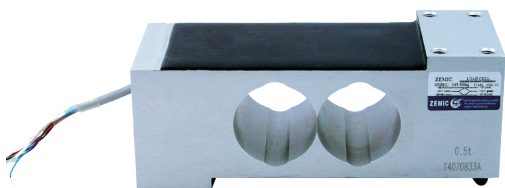


# L6T



OIML test certificate no. D09-10.23  
C of C no R60/2000-DE1-10.11

Certificate no. 12-006

- Aluminium-Alloy IP65 single point load cell
- Colourless anodized
- Suitable for single or double load cell structured platform scales
- Maximum platform size: 600 x 600 mm

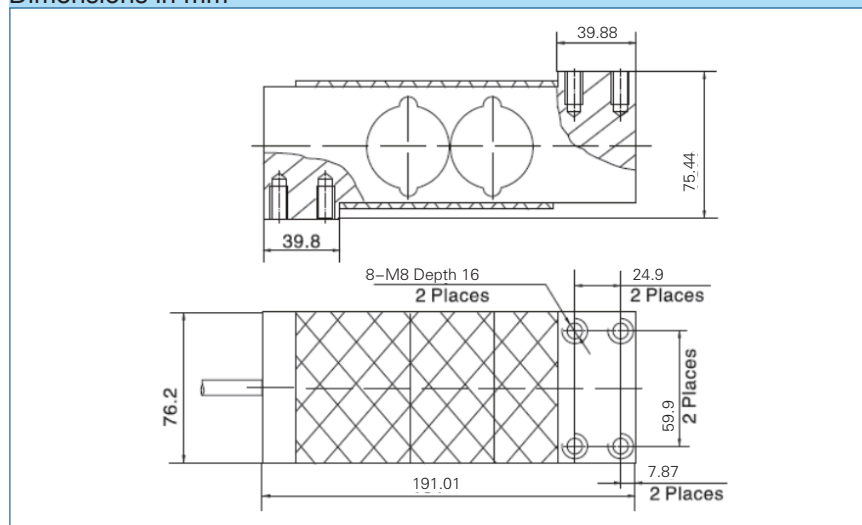
## Available models

Capacity	Accuracy	Full article description
50 kg	C3/C4	L6T-C3/C4-50kg-3B6
75 kg	C3/C4	L6T-C3/C4-75kg-3B6
100 kg	C3/C4	L6T-C3/C4-100kg-3B6
150 kg	C3/C4	L6T-C3/C4-150kg-3B6
200 kg	C3/C4	L6T-C3/C4-200kg-3B6
250 kg	C3/C4	L6T-C3/C4-250kg-3B6
300kg	C3	L6T-C3-300kg-3B6
500kg	C3	L6T-C3-500kg-3B6
635kg	C3	L6T-C3-635kg-3B6
1000kg	C3	L6T-C3-1000kg-3B6

## Specification

Accuracy class		OIML R60 C3		OIML R60 C4
		Output sensitivity ( = FS )	mV/V	2.0 ± 0.2
Maximum capacity ( E <sub>max</sub> )	kg	50, 75, 100, 150, 200, 250	300, 500, 635, 1000	50, 75, 100, 150, 200, 250
Maximum number of load cell intervals ( nLC )		3000		4000
Ratio of minimum LC verification interval $Y = E_{max} / v_{min}$		6500	15000	6500
Combined error	%FS	± 0.02		± 0.0150
Minimum dead load	of E <sub>max</sub>	0%		
Safe overload	of E <sub>max</sub>	120 %		
Ultimate overload	of E <sub>max</sub>	150 %		
Zero balance	%FS	± 2.0		
Excitation, recommended voltage	V	5 ~ 12( DC )		
Excitation maximum	V	18( DC )		
Input resistance	Ω	406 ± 6		
Output resistance	Ω	350 ± 3		
Insulation resistance	MΩ	≥ 5000 ( 50VDC )		
Compensated temperature	°C	-10 ~ +40		
Operating temperature	°C	-35 ~ +65		
Storage temperature	°C	-40 ~ +70		
Element material		Aluminium		
Recommended torque on fixation	N.m	M8: 25		
Ingress protection (according to EN 60529)		IP65		

## Dimensions in mm



## Wiring

